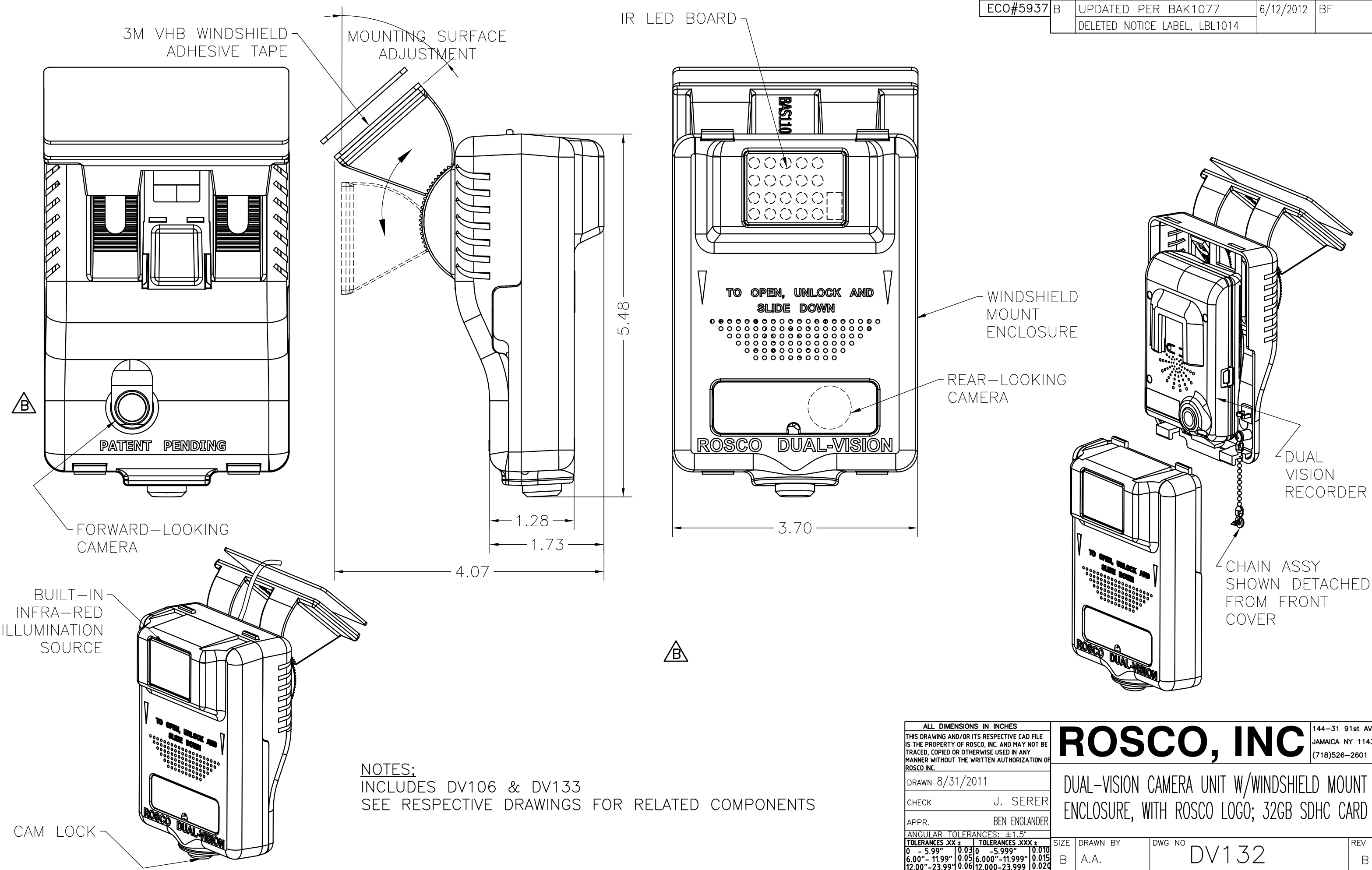


#	DESCRIPTION	DATE	APPROVED	
ECO#5937	B	UPDATED PER BAK1077	6/12/2012	BF
		DELETED NOTICE LABEL, LBL1014		



NOTES:
 INCLUDES DV106 & DV133
 SEE RESPECTIVE DRAWINGS FOR RELATED COMPONENTS

ALL DIMENSIONS IN INCHES

THIS DRAWING AND/OR ITS RESPECTIVE CAD FILE IS THE PROPERTY OF ROSCO, INC. AND MAY NOT BE TRACED, COPIED OR OTHERWISE USED IN ANY MANNER WITHOUT THE WRITTEN AUTHORIZATION OF ROSCO INC.

DRAWN 8/31/2011

CHECK J. SERER

APPR. BEN ENGLANDER

ANGULAR TOLERANCES: ±1.5°

TOLERANCES .XX ±	TOLERANCES .XXX ±
0 - 5.99"	0.03
6.00" - 11.99"	0.05
12.00" - 23.99"	0.06
24.00" - 47.99"	0.08
48.00" & UP	0.12

ROSCO, INC 144-31 91st AVE.
 JAMAICA NY 11435
 (718)526-2601

DUAL-VISION CAMERA UNIT W/WINDSHIELD MOUNT ENCLOSURE, WITH ROSCO LOGO; 32GB SDHC CARD

SIZE	DRAWN BY	DWG NO	REV
B	A.A.	DV132	B
SCALE	WEIGHT	SHEET	1