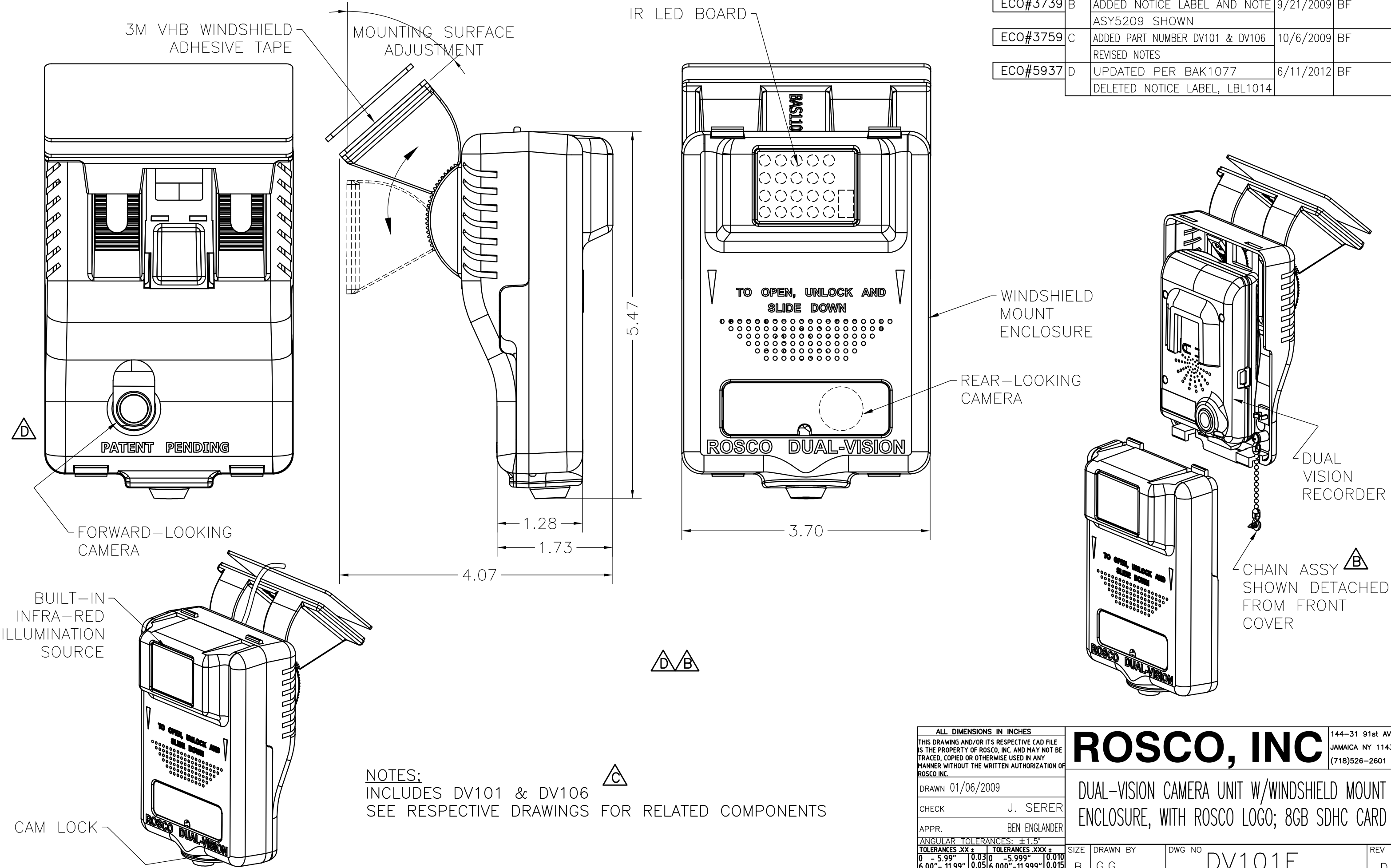


#	DESCRIPTION	DATE	APPROVED
ECO#3739	B ADDED NOTICE LABEL AND NOTE ASY5209 SHOWN	9/21/2009	BF
ECO#3759	C ADDED PART NUMBER DV101 & DV106 REVISED NOTES	10/6/2009	BF
ECO#5937	D UPDATED PER BAK1077 DELETED NOTICE LABEL, LBL1014	6/11/2012	BF



NOTES:
 INCLUDES DV101 & DV106
 SEE RESPECTIVE DRAWINGS FOR RELATED COMPONENTS

ALL DIMENSIONS IN INCHES

THIS DRAWING AND/OR ITS RESPECTIVE CAD FILE IS THE PROPERTY OF ROSCO, INC. AND MAY NOT BE TRACED, COPIED OR OTHERWISE USED IN ANY MANNER WITHOUT THE WRITTEN AUTHORIZATION OF ROSCO INC.

DRAWN 01/06/2009

CHECK J. SERER

APPR. BEN ENGLANDER

ANGULAR TOLERANCES: ±1.5°

TOLERANCES .XX ±	TOLERANCES .XXX ±
0 - 5.99"	0.03
6.00" - 11.99"	0.05
12.00" - 23.99"	0.06
24.00" - 47.99"	0.08
48.00" & UP	0.12

ROSCO, INC 144-31 91st AVE.
 JAMAICA NY 11435
 (718)526-2601

DUAL-VISION CAMERA UNIT W/WINDSHIELD MOUNT ENCLOSURE, WITH ROSCO LOGO; 8GB SDHC CARD

SIZE	DRAWN BY	DWG NO	REV
B	G.G.	DV101E	D
SCALE	WEIGHT	SHEET 1	