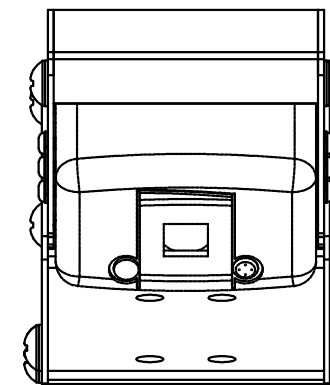
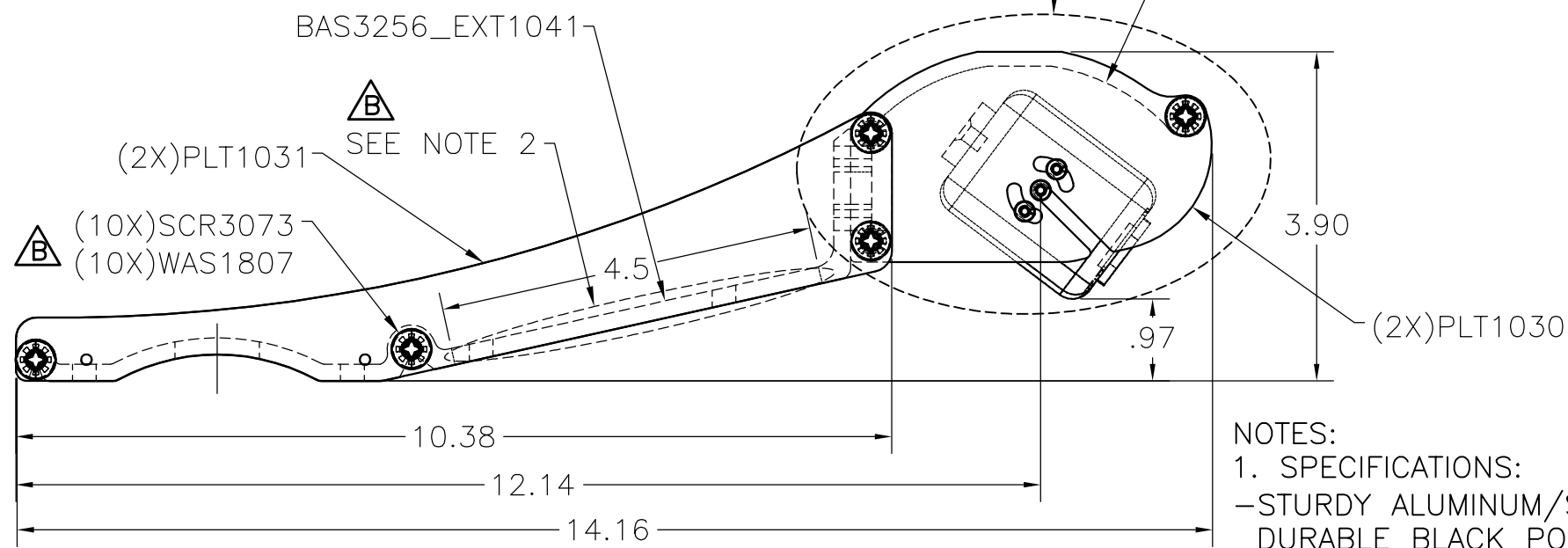
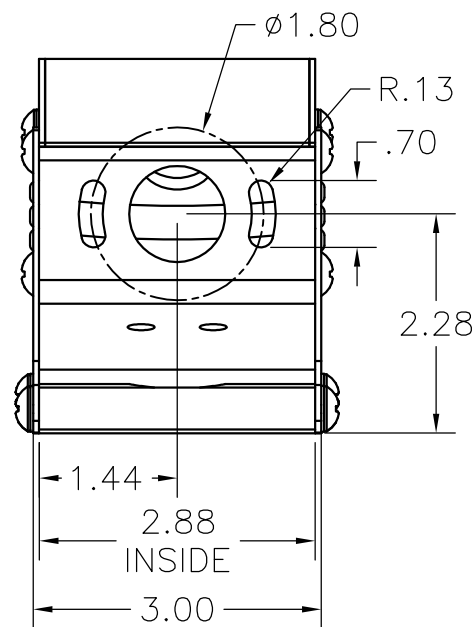
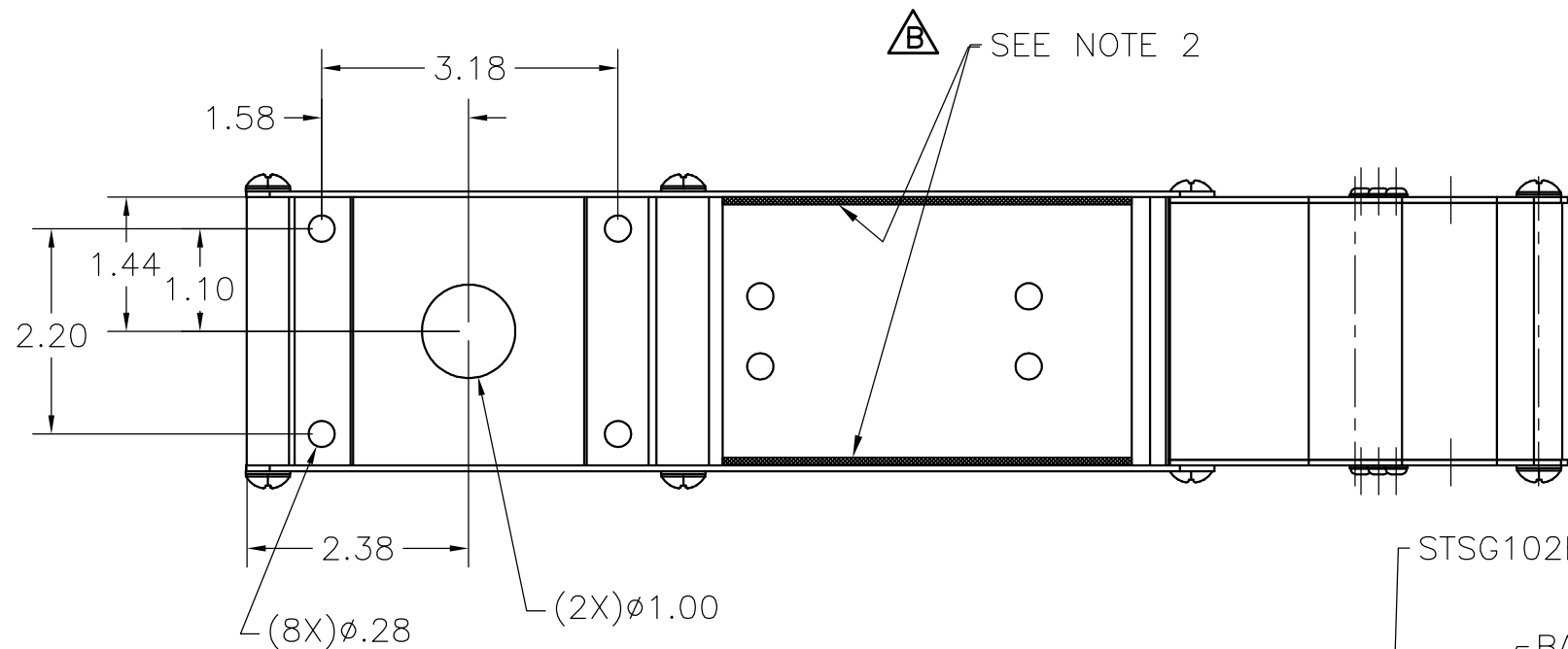


#	DESCRIPTION	DATE	APPROVED
ECO#4144	A RELEASED TO PRODUCTION	04/27/2010	gennady.grabovsky
ECO#5627	B ADDED (10X)WAS1807 & (2X) PIECE OF TAPE	01/30/2012	gennady.grabovsky



NOTES:

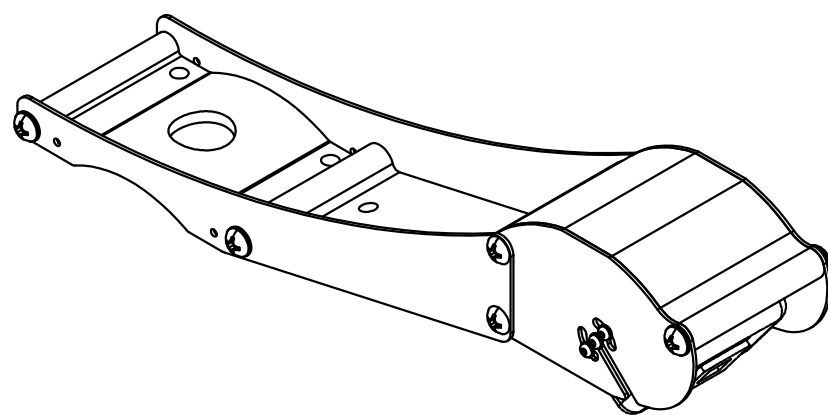
1. SPECIFICATIONS:

- STURDY ALUMINUM/STEEL CONSTRUCTION, FINISHED IN DURABLE BLACK POLYESTER POWDER COATING
- DESIGNED TO BE USED WITH ROSCO CAMERA P/N STSC101 (NOT INCLUDED WITH THE ENCLOSURE)



- 2. APPLY TAPE RMT9109, NEOPRENE/EPDM 1/16" THICK BETWEEN PLT1031 AND BAS3259. TRIM EXPOSED MATERIAL

MTG HARDWARE KIT & INS1125 TO BE SHIPPED WITH THIS ASSY IN SEPARATE BAG. SEE SCR7063 FOR DETAILS.



ALL DIMENSIONS IN INCHES			
THIS DRAWING AND/OR ITS RESPECTIVE CAD FILE IS THE PROPERTY OF ROSCO, INC. AND MAY NOT BE TRACED, COPIED OR OTHERWISE USED IN ANY MANNER WITHOUT THE WRITTEN AUTHORIZATION OF ROSCO INC.			
DRAWN 09/11/2009			
CHECK		J. SERER	
APPR.		BEN ENGLANDER	
ANGULAR TOLERANCES: ±1.5°			
TOLERANCES XX	TOLERANCES XXX		
0 - 5.99"	0.03	6.000" - 11.999"	0.010
6.00" - 11.99"	0.05	12.000" - 23.999"	0.015
12.00" - 23.99"	0.06	24.000" - 47.999"	0.020
24.00" - 47.99"	0.08	48.000" & UP	0.025
48.00" & UP	0.12		0.030

ROSCO, INC		144-31 91st AVE. JAMAICA NY 11435 (718)526-2601	
BACKUP CAMERA ENCLOSURE, ROOF MOUNT WITH EXTENSION ARM			
SIZE	DRAWN BY	DWG NO	REV
B	BF	STSG103B	B
SCALE	WEIGHT	SHEET 1	