



STSK5530 / STSK6630 / STSK1030

MOR-Vision® Helps to Confirm Safe Reverse Operations With Simple Replacement of the OEM Bus Mirror

Integrated Mirror/Monitor Backup Camera Systems



KIT P/N: STSK6630
(For Large Buses)



STSC111B



KIT P/N: STSK5530
(For Small Buses)

MOR-VISION

- Mirror/Monitor Allows the Driver to See the Camera Image Behind the Vehicle When in Reverse.
- Normal Mirror View Reappears Once Vehicle is Shifted Out of Reverse.
- Superb Night Vision.
- 7" LCD Color Monitor in Rearview Mirror.
- Simple Rearview Mirror Install.
- On Screen Menu.
- Two Camera Inputs with Automatic Triggers.
- Optional Interior Camera View.
- 160° Diagonal Field of Vision.
- One Year Warranty.



90-21 144th Place, Jamaica, New York 11435
TEL (800) 227-2095 • FAX (718) 297-0323
info@roscomirrors.com
www.roscovision.com www.roscomirrors.com

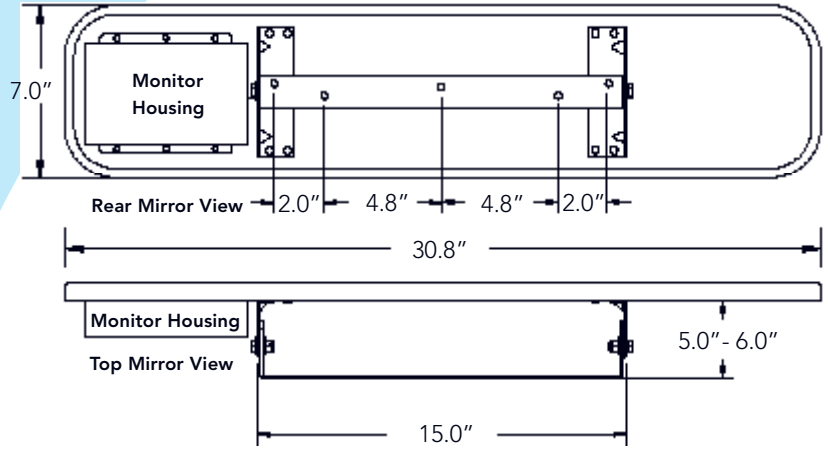




STSK5530 / STSK6630 / STSK1030

The MOR-Vision® mirror/monitor series from Rosco offers automated safety for buses. No driver input is required, and the camera view is activated when the driver shifts the bus into reverse. Buses equipped with MOR-Vision® have options for multiple cameras & automatic monitor view changes based on the operational conditions of the bus. For example, if the bus is in reverse, the rear backup camera view appears in the monitor. When the bus is shifted into drive, the driver can select a rear camera view to see children sitting in the back of the bus. If the monitor is not activated a normal mirror view reappears.

Mirror Dimensions: 6" x 30"



*Optional sizes for 630 (6" x 30") and 1030 (10" x 30") mirrors are available.

KIT P/N: STSK6630

Monitor P/N: STSM630

- Screen Size Diagonal 7"
- Resolution (Pixels) 800(H) x 480(V)
- Brightness 1800 cd/m²
- Screen Ratio 16:9
- Input Voltage Range DC 12V ± 2V
- Max. No Cameras 2
- Audio Included
- Shock Rating 20G @ 5mls
- Vibration Rating 15G
- Operating Temp -5°F to 149°F (-15°C to 65°C)

Camera P/N: STSC111B

- Pixels 480,000
- Field of View 160°
- Resolution Horizontal 600 TVL
- Microphone Included
- InfraRed LEDs 6
- Illumination 0 Lux (with IR LEDs)
- IP Rating IP69K
- Input Voltage Range DC 12V ± 2V
- Operating Temp -14°F to 140°F (-10°C to 60°C)

Harness P/N: STSH341

65' Harness

P/N: STSK6630
Full Mirror View
(Camera View Off)



STSC111B High Mount Rearview Backup Camera

Compatible with the following Rosco backup cameras:
STSC141 • STSC130B/W
STSC106 • STSC112



Part Number	Description
STSK5530	530 Mirror & Monitor B/U Camera Kit
STSK6630	630 Mirror & Monitor B/U Camera Kit
STSK1030	1030 Mirror & Monitor B/U Camera Kit
STSM217	Monitor Only, Replacement Part



90-21 144th Place, Jamaica, New York 11435
TEL (800) 227-2095 • FAX (718) 297-0323
info@roscomirrors.com
www.roscovision.com www.roscomirrors.com

