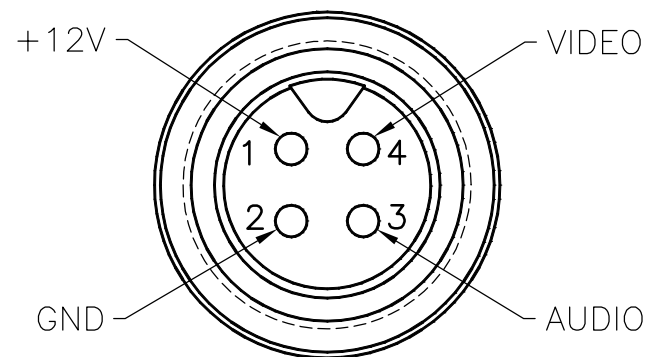


VIEW B  
4 PIN FEMALE SOCKET



VIEW A  
4 PIN MALE PLUG

THIS DRAWING AND/OR ITS RESPECTIVE CAD FILE IS THE PROPERTY OF ROSCO, INC. AND MAY NOT BE TRACED, COPIED OR OTHERWISE USED IN ANY MANNER WITHOUT THE WRITTEN AUTHORIZATION OF ROSCO INC.			
DRAWN 04/17/2008			
CHECK		J. SERER	
APPR.		BEN ENGLANDER	
ANGULAR TOLERANCES: ±1.5°			
TOLERANCES .XX		TOLERANCES .XXX	
0 - 5.99"	0.03	0 - 5.999"	0.010
6.00" - 11.99"	0.05	6.000" - 11.999"	0.015
12.00" - 23.99"	0.06	12.000" - 23.999"	0.020
24.00" - 47.99"	0.08	24.000" - 47.999"	0.025
48.00" & UP	0.12	48.000" & UP	0.030

**ROSCO, INC** 144-31 91st AVE.  
JAMAICA NY 11435  
(718)526-2601

16.5' HEAVY DUTY HARNESS  
WITH TWIST-LOCK CONNECTORS

SIZE	DRAWN BY	DWG NO	REV
A	G.G.	STSH304	A
SCALE	WEIGHT	SHEET	1